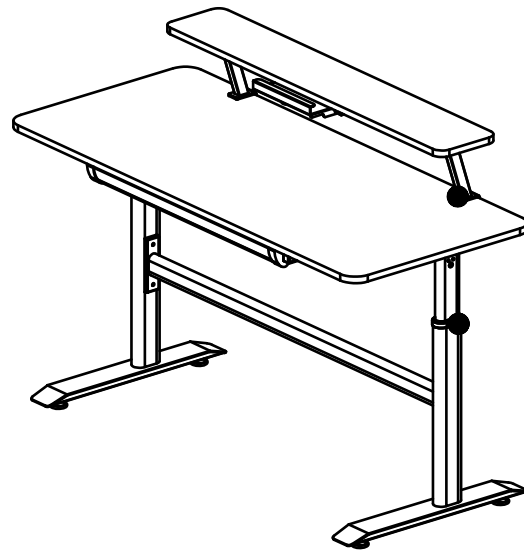


BREEDGE KIDS growing table



INSTRUCTION SAFETY AND USE

GENERAL TECHNICAL INSTRUCTIONS

We strongly recommend that you read these instructions carefully before assembly, check the availability of all parts and fittings according to the list, make sure that they are of good quality (no scratches, chips, dents, etc.). As claims on the quantity of components and quality of the product after assembly are not accepted. We advise you to assemble on a flat surface, we recommend using soft fabric as a lining material. The manufacturer reserves the right to make changes that do not violate the appearance and overall dimensions of the product (replacement of mounting hardware, legs, handles, etc. for analogs). Rules of operation For long-term preservation of operational and aesthetic qualities of furniture it is necessary to observe the following rules of furniture care during its operation: operate the furniture in a dry, ventilated room with air temperature from +10 C to +40 C and air humidity not exceeding 70%; in the process of furniture operation it is possible to loosen fastening fittings - it is necessary to correct them sometimes - to tighten connecting elements; do not allow moisture to accumulate on the surfaces of the product to avoid swelling of boards and gluing of edges; protect surfaces from mechanical damage, prevent damage to the protective layer and exposure to high temperatures; wipe the product with a damp soft cloth, it is also possible to wash it with a light soap solution followed by wiping with a dry cloth. The use of abrasive powders and hard metal brushes is prohibited. Do not use aggressive cleaning agents such as solvents, gasoline, degreasing agents containing acids, alcohols and salts, etc.

WARRANTY CARD

Product information

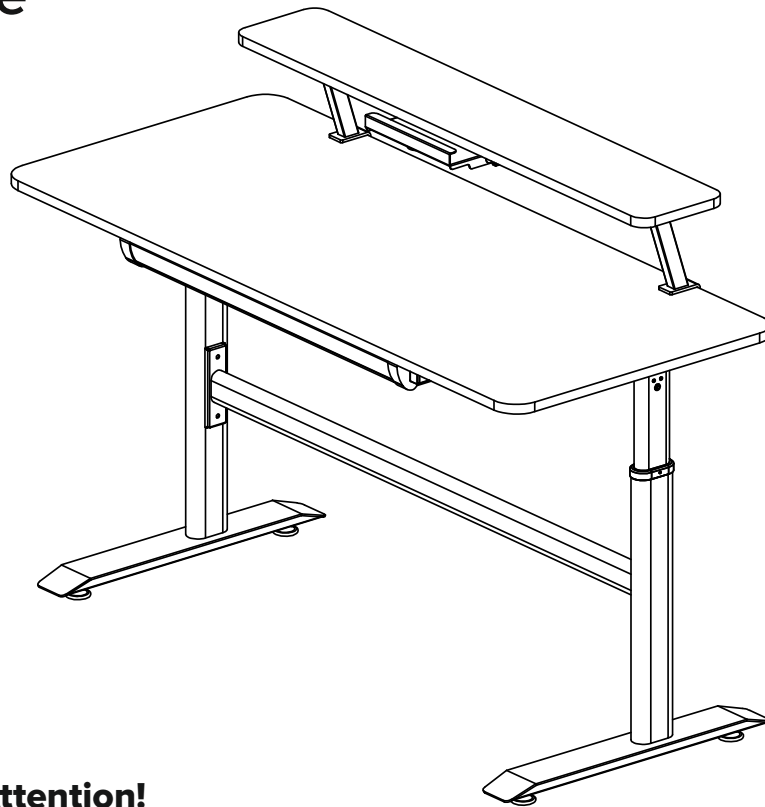
| | |
|---|---------------------|
| Seller | Breedge Trading LLC |
| Product | Table |
| Model | Kids growing table |
| Price | |
| Sales Date | |
| Phone | +971 4 238 3260 |
| Product warranty period : 12 months | |
| I have received the serviceable product in a complete set, with the Operating Instructions; I have read and agree with the terms of warranty repair, with the rules of using the product, its transportation and storage. I confirm that at the time of transfer the product does not have any defects that are not hidden. | |
| Buyer's signature | _____ |

Replacement of a poor-quality product with a new one, is made only in case of impossibility of repair. The warranty repair is carried out within 21 days from the date of application.

BREEDGE KIDS

growing table

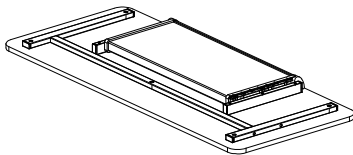
ASSEMBLY INSTRUCTION



Attention!

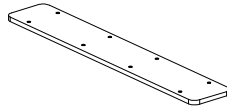
First tighten the screws, then screw them on!

Tabletop



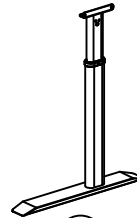
(A) = 1PCS

Shelf



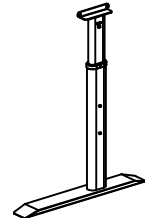
(B) = 1PCS

Base+support



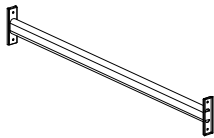
(C) = 1PCS

Base+support



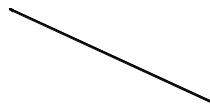
(D) = 1PCS

Crossbar 1



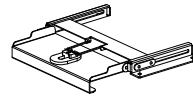
(E) = 1PCS

Crossbar 2



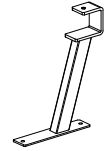
(F) = 1PCS

Shelf



(G) = 1PCS

Shelf support



(H) = 2PCS

Tightening fasteners



(I) = 2PCS

Lifting mechanism



(J) = 1PCS

Protective covers for the table base



(K) = 4PCS

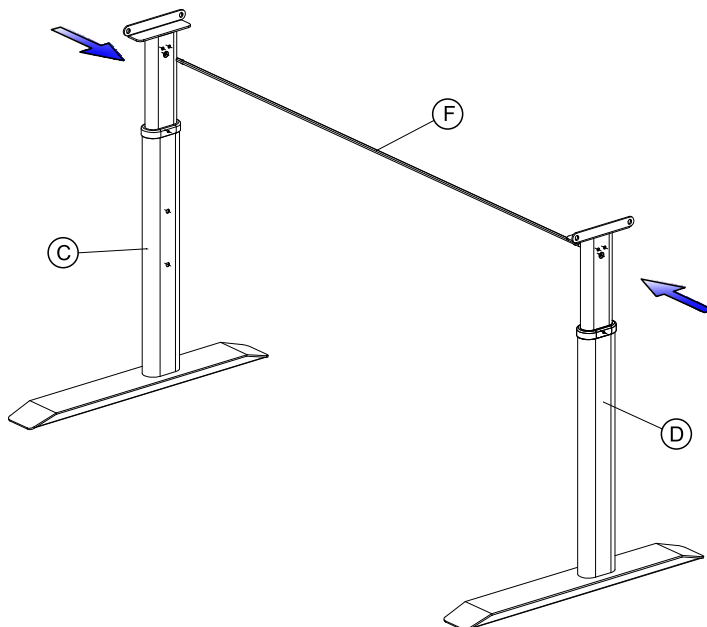


(L) = 1PCS

(M) M6*12 = 16PCS

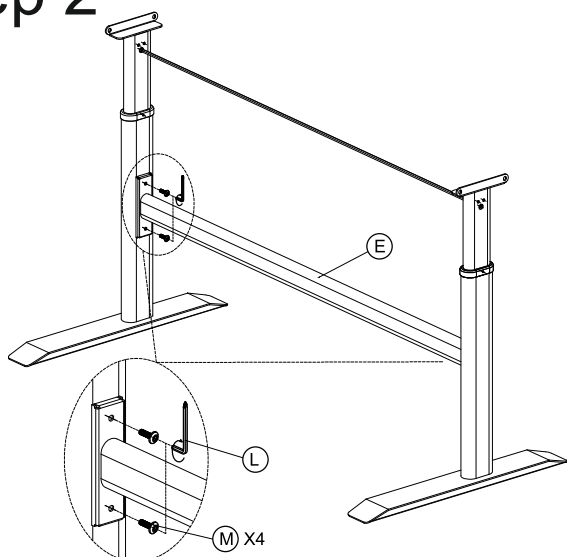
Step 1

Connect the base (+supports) to the crossbar (F)



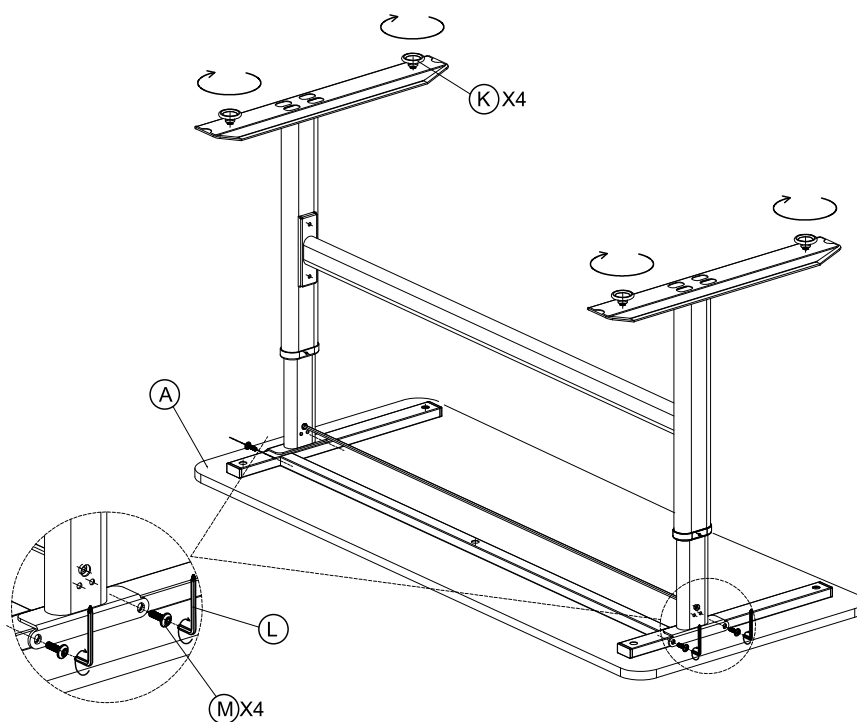
Step 2

Connect the bases (+supports) to the crossbar (E) with screws (M)



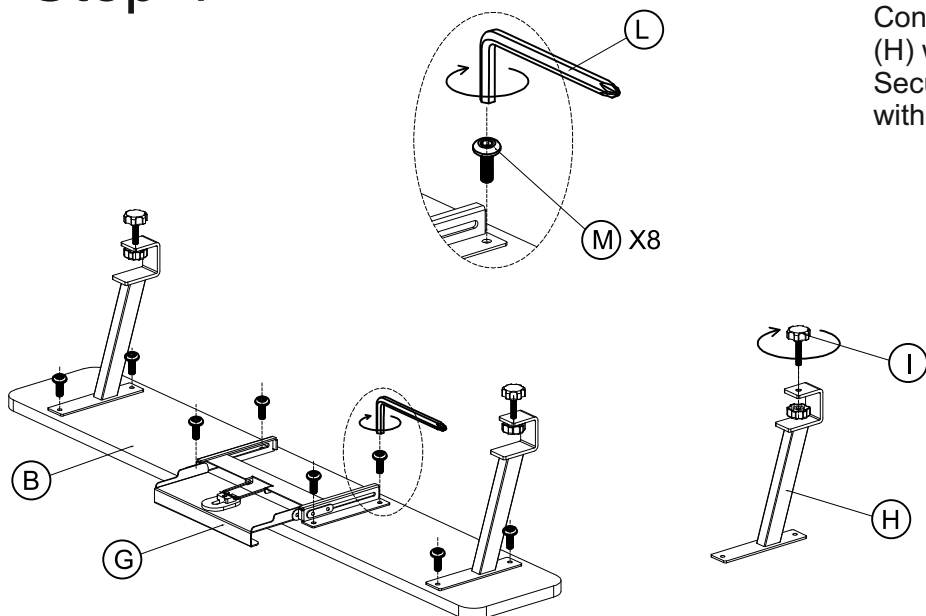
Step 3

Connect the table top (A) and the assembled base using the screws (M) as shown in the illustration. Insert and screw in the protective pads (K) to support the table.



Step 4

Install the tightening fasteners (I) on the shelf supports (H).
Connect the shelf (B) to the shelf supports (H) with screws (M).
Secure the pullout shelf (G) to the shelf with screws (M).



Step 5

Place the assembled shelf on the table.
Install the lifting mechanism (J).
Done!

